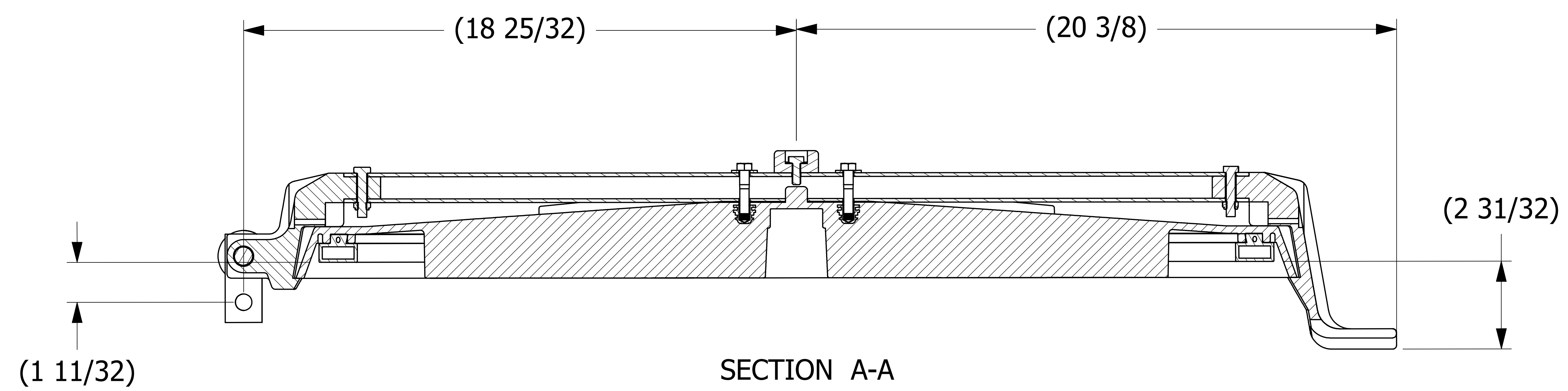
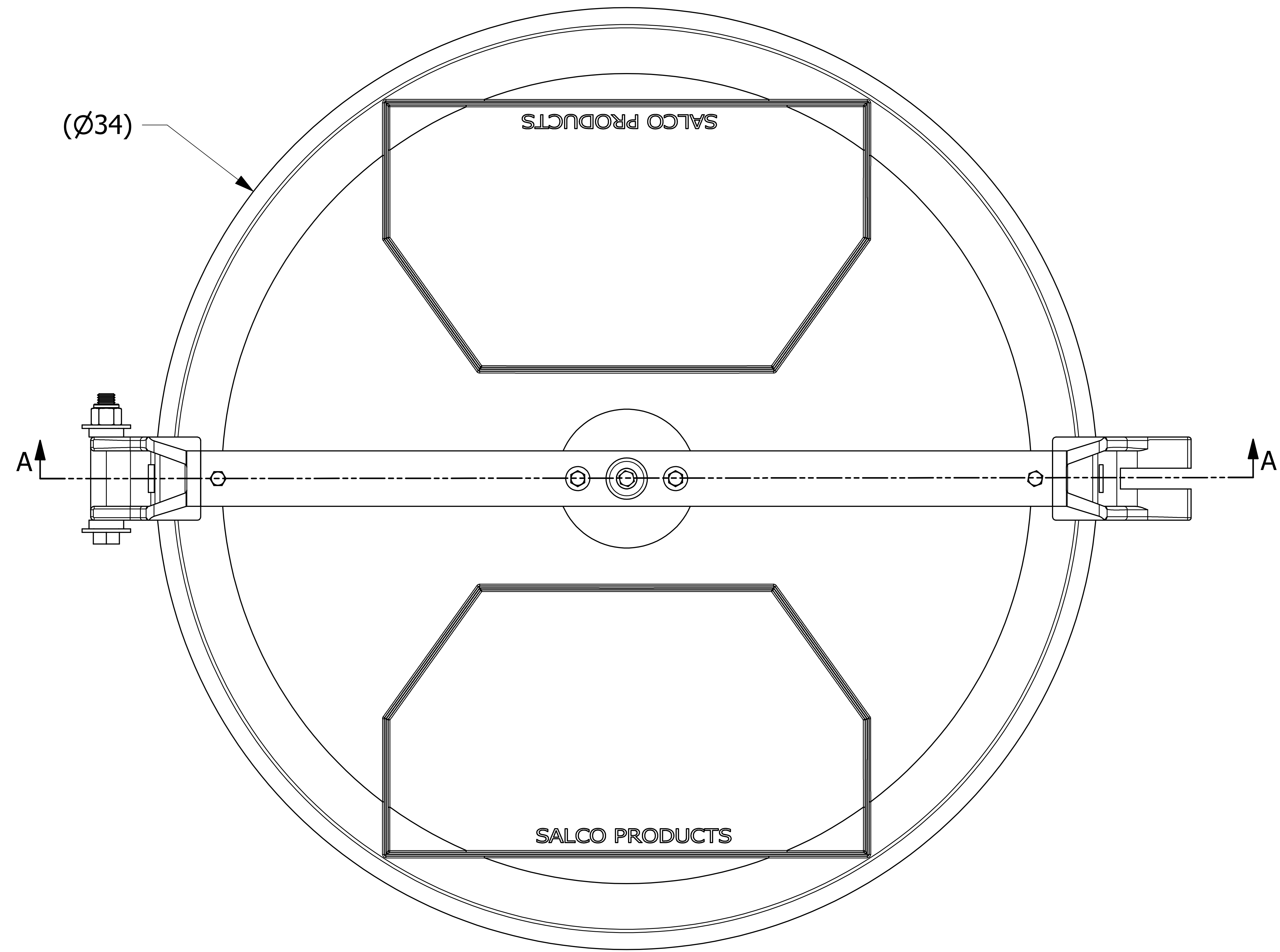


SALES DRAWING

SALES DRAWING



SECTION A-A

B	BRG	7-22-09	UPDATED DRAWING WITH NEW PHC3007AS
A	PJG	3-19-08	NEW PART ADDED TO SYSTEM
REV	BY	DATE	DESCRIPTION

UNLESS OTHERWISE SPECIFIED DIMENSIONAL TOLERANCES	DRAWN BY:	PJG
FRACTIONAL: ±1/16	CHECKED BY:	
X.XX: ±.03	PROTOTYPE BY:	PJG
X.XXX: ±.015	PROTOTYPE DATE:	11/27/2007
ANGULAR: ±1°	APPROVED FOR PRODUCTION BY:	PJG
THIRD ANGLE PROJECTION	PRODUCTION DATE:	3/19/2008

**SALCO PRODUCTS, INC.**

PART NAME: **HATCH COVER 30"**

MATERIAL: **HDPE/SS**

PROJECT #: **060314** SHEET #: **1 OF 1** SCALE: **1/2**

DRAWING #: **E24467** PART #: **PHC3007PRE**

THIS PRINT, PROPERTY OF SALCO PRODUCTS INC. CONTAINS PROPRIETARY INFORMATION AND MUST NOT BE COPIED, REPRODUCED, OR USED DETRIMENTALLY TO OUR INTEREST.

